

**LC160 – Capacitive Level Meter with Two Coated Electrodes**

- ▶ Two coated electrodes
- ▶ Applicable to aggressive liquids
- ▶ Field calibration available
- ▶ No moving parts
- ▶ Easy installation and maintenance

LC160 consists of electronic module and measuring electrode which is determined by type of medium and applications. LC160 is designed to measure the limit level of aggressive fluids in tanks.

**Specifications**

<b>Measuring Range (Rod length L)</b>	≤2m
<b>Applicable Medium</b>	Aggressive liquids
<b>Current Consumption</b>	
Current Output	Signal current
Voltage Output	About 8mA
<b>Power Supply</b>	
Current/Voltage Output	9...36Vdc/16...36Vdc
<b>Current Analog Output</b>	
Output	2-wire 4...20mA
Load RA	R <sub>max</sub> =750Ω
<b>Voltage Analog Output</b>	
Output	3-wire 0...10V
Load RA	R <sub>min</sub> >1KΩ
<b>Sensitivity Ranges(PF)</b>	20; 30; 50; 100; 150; 300; 500; 1000
<b>Initial Capacity Regulation Ratio</b>	Min. 1: 2
<b>Linearity</b>	Max. 1%
<b>Temperature Error</b>	Max. 0.05%/K
<b>Voltage Error</b>	
Current Output	Max. 0.3uA/V
Voltage Output	Max. 0.1mV/V
<b>Temperature</b>	
Ambient	-40...85°C
Medium	-40...100°C
<b>Material</b>	
Housing	PTFE
Rod	304 stainless steel
Coated	FEP
<b>Protection Class</b>	IP65/IP67
<b>Electrical Connection</b>	Solenoid plug

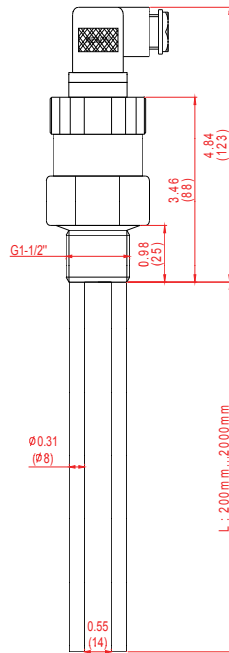


**Applications**

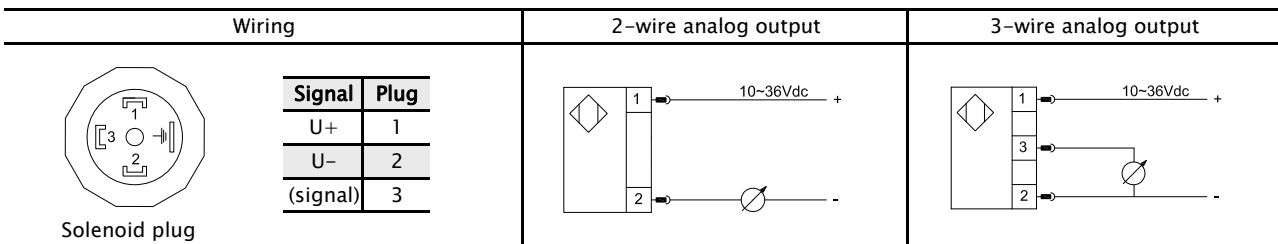
- ▶ Level measuring
- ▶ Material level measuring
- ▶ Petrochemical industry
- ▶ Energy industry
- ▶ Water treatment
- ▶ Hydraulic/lubrication system

LEVEL

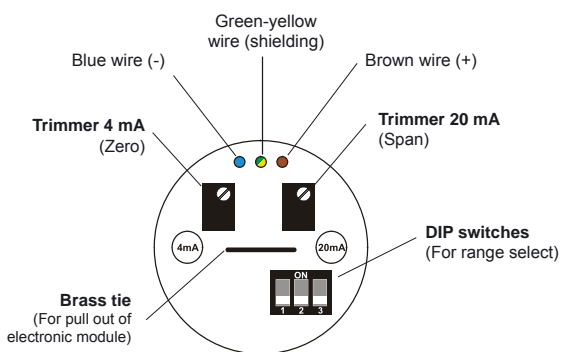
### Dimensions in inches (mm)



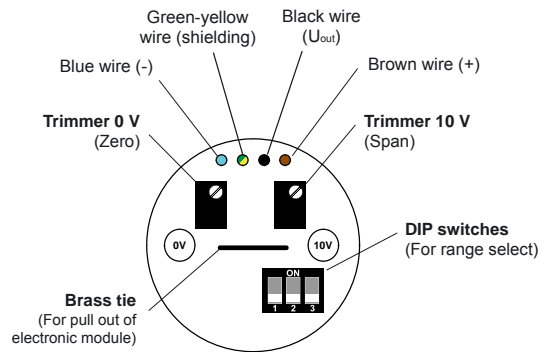
### Wiring



### Adjustment Elements



The top view on the internal electronic module for current output



The top view on the internal electronic module for voltage output

Order Code

<b>LC :</b>	Capacitive level meter
<b>160 :</b>	Series# - with two coated electrodes
<b>G112 :</b>	G1-1/2" male thread for process connection
<b>42 :</b>	2-wire 4 ... 20mA current analog output
<b>10 :</b>	3-wire 0 ... 10mA voltage analog output

<b>LC</b>	<b>160/</b>	<b>G112/</b>	<b>42</b>	<b>H</b>	<b>M1000</b>	<b>N</b>
-----------	-------------	--------------	-----------	----------	--------------	----------

<b>H :</b>	Solenoid plug
<b>MXXXX :</b>	Rod length(metric system) L=xxxx mm
<b>IXXXX :</b>	Rod length(english system) L=xxxx inch
<b>N :</b>	Non-explosion proof model

Sepecial Order on Request

- ▶ Electrical / process connection